



## INSTALLATION INSTRUCTIONS MOUNTING PLATES

If your transmission does not have a stock GM mounting plate, use the mounting plate in kit.

Shifter is installed as shown on shifter installation instruction sheet. All necessary hardware is provided.

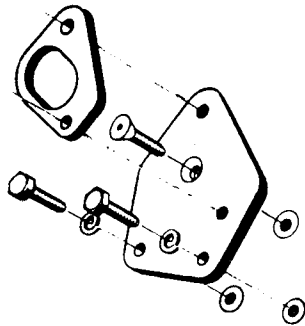
### NOTICE

Spacer plate (PT-195 4319) supplied with these mounting plates must be installed between the shifter and mounting plate.

#### MOUNTING PLATE PT. 195 0163 BAGGED HARDWARE PT. 154 0163

##### INSTALLATIONS:

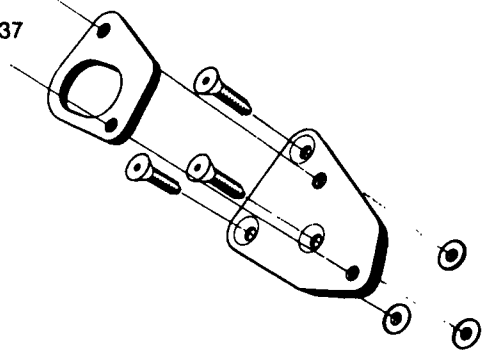
373 7897  
373 8605



#### MOUNTING PLATE PT. 195 0164 BAGGED HARDWARE PT. 154 0162

##### INSTALLATIONS:

373 7437

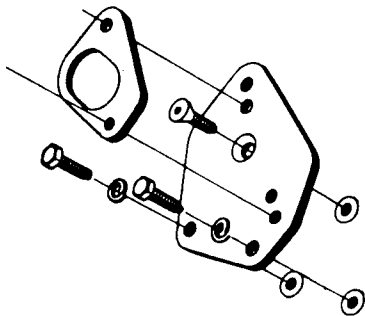


#### MOUNTING PLATE PT. 195 0165 BAGGED HARDWARE PT. 154 0163

**INSTALL SHIFTER  
ON LOWER SET OF  
MOUNTING HOLES**

##### INSTALLATIONS:

373 6819



#### MOUNTING PLATE PT. 195 0165 BAGGED HARDWARE PT. 154 0163

**INSTALL SHIFTER  
ON UPPER SET OF  
MOUNTING  
HOLES**

##### INSTALLATIONS:

373 7823  
373 8608

