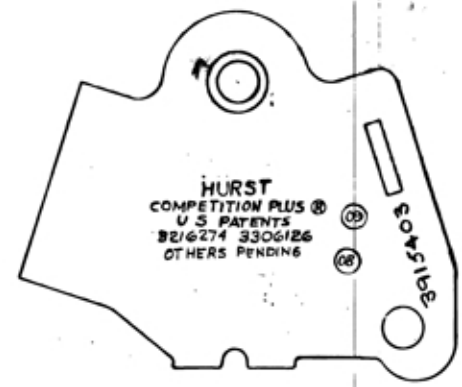
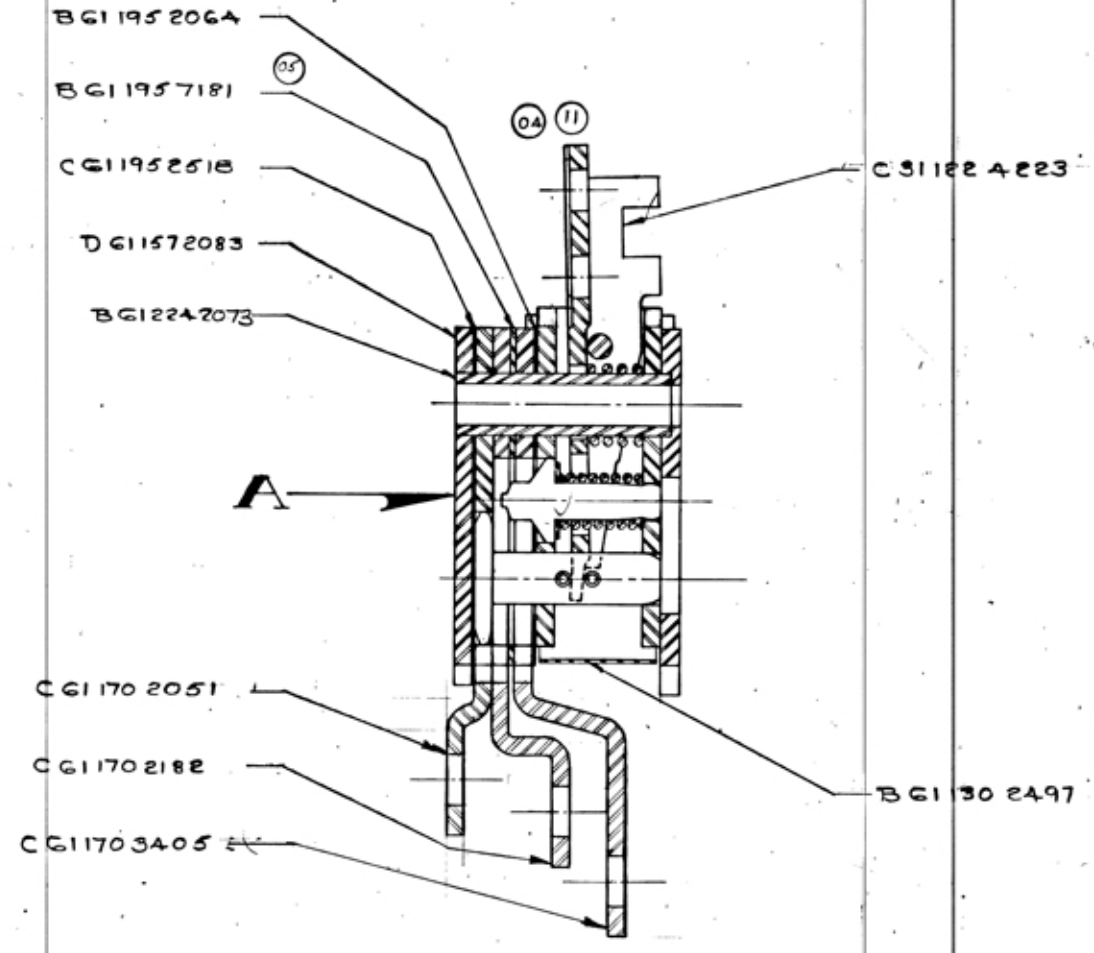
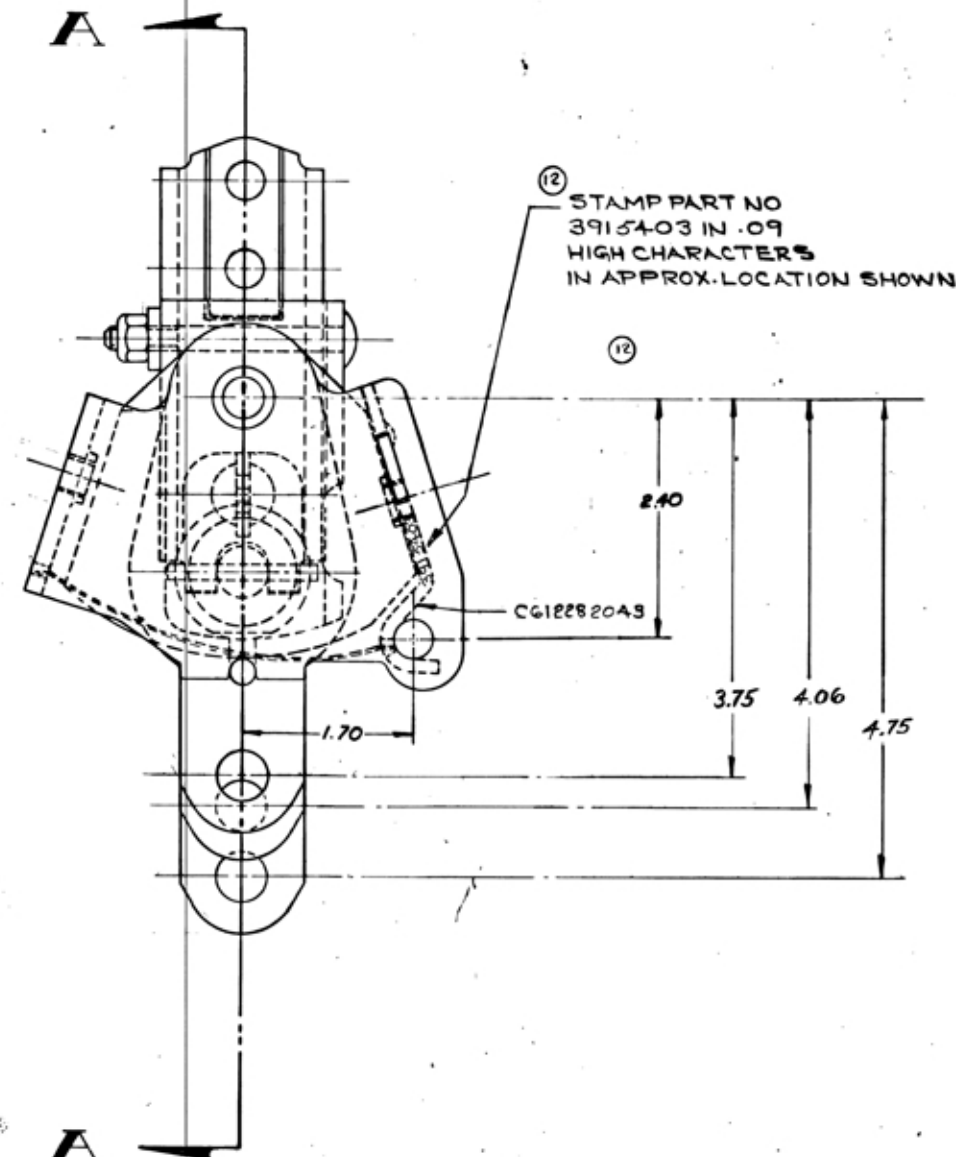


REV NO	LET	REVISION	BY	DATE
A		REL. FOR PRODUCTION	SR	7-5-66
1972	01	VOIDED PARTS LIST REMOVED BALLOONS ADDED CALL OUTS	JRS	9-26-66
03		NEW NUMBER		10/29/68
04		VIEW OF C-4223 REVISED TO SHOW DUAL WELDNUT	LME	2-3-69
2281	05	B-7181 WAS B-2408	WSP	9-26-69
2442	06	B-1751 WAS O360	WSP	1-18-70
2424	07	REM'D STAMP SERIAL NO. IN APPROX POSITION SHOWN	WSP	4-17-70
2400	08	PATENT STAMP REVISED. SEE DETAIL D-61572083, REV 2.	WSP	6-15-70
2400	09	PATENT STAMP REVISED. SEE DETAIL D-61572083, REV 3.	WSP	6-2-70
3533	10	REM'D B-91647751 LABEL	WSP	7-18-71
3533	11	REM'D WELD NUT	WSP	8-1-71
3533	12	REM'D A-31113 3680 A-31113 3681. ADDED STAMP PART NO. --- LOCATION SHOWN	WSP	8-1-71



VIEW - A



SECTION - A-A

NOTES:
1) LUBRICATE ALL BEARING AND WEAR SURFACES WITH STANOLUBE™ 815 SPECIAL PURPOSE GREASE

ITEM	QTY	PT. NO.	PART NAME	REMARKS
14	1	3681	ASSY, 1" STOP BOLT	
13	1	3680	ASSY, 1/4" STOP BOLT	
12	1	3405	LEVER - REV.	
11	1	2051	LEVER 3 RD 1 ST	
10	1	2182	LEVER 1 ST & 2 ND	
9	1	2043	SPACER - HOUSING	
8	1	2073	SLEEVE	
7	1	2083	HOUSING	
6	1	2518	WAVE PLATE	
5	1	2408	INTERLOCK PLATE	
4	1	2064	REVERSE SAFETY PLATE	
3	1	2497	DUST COVER	
2	1	2	STICKER - PRESS SENS SHFT	FORM# HC-SR-300
1	1	4883	CARRIER ASS'Y	

PARTS LIST

DO NOT SCALE TOLERANCE: DECIMAL FRACT - ANGLES -
 REMOVE ALL BURRS & SHARP EDGES
 NAME 4 SPEED SHIFTER ASS'Y BOLT-ON STICK
 END USE
 DRAWN BY W.M. ROLLAND
 DATE 4-6-66
 CHECKED BY C.H.R.
 DATE
 SCALE FULL
 APP'D BY G.D. HURST
 DESG. NO. D-5403
 FINISH
 HURST-CAMPBELL INC. WARMINSTER, PA.

313915403