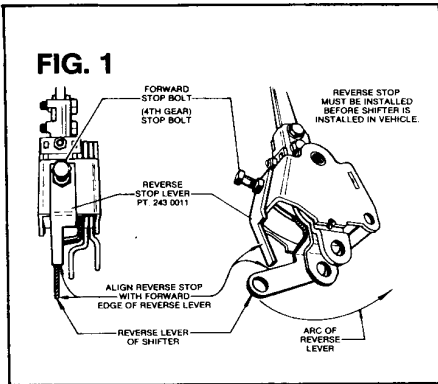
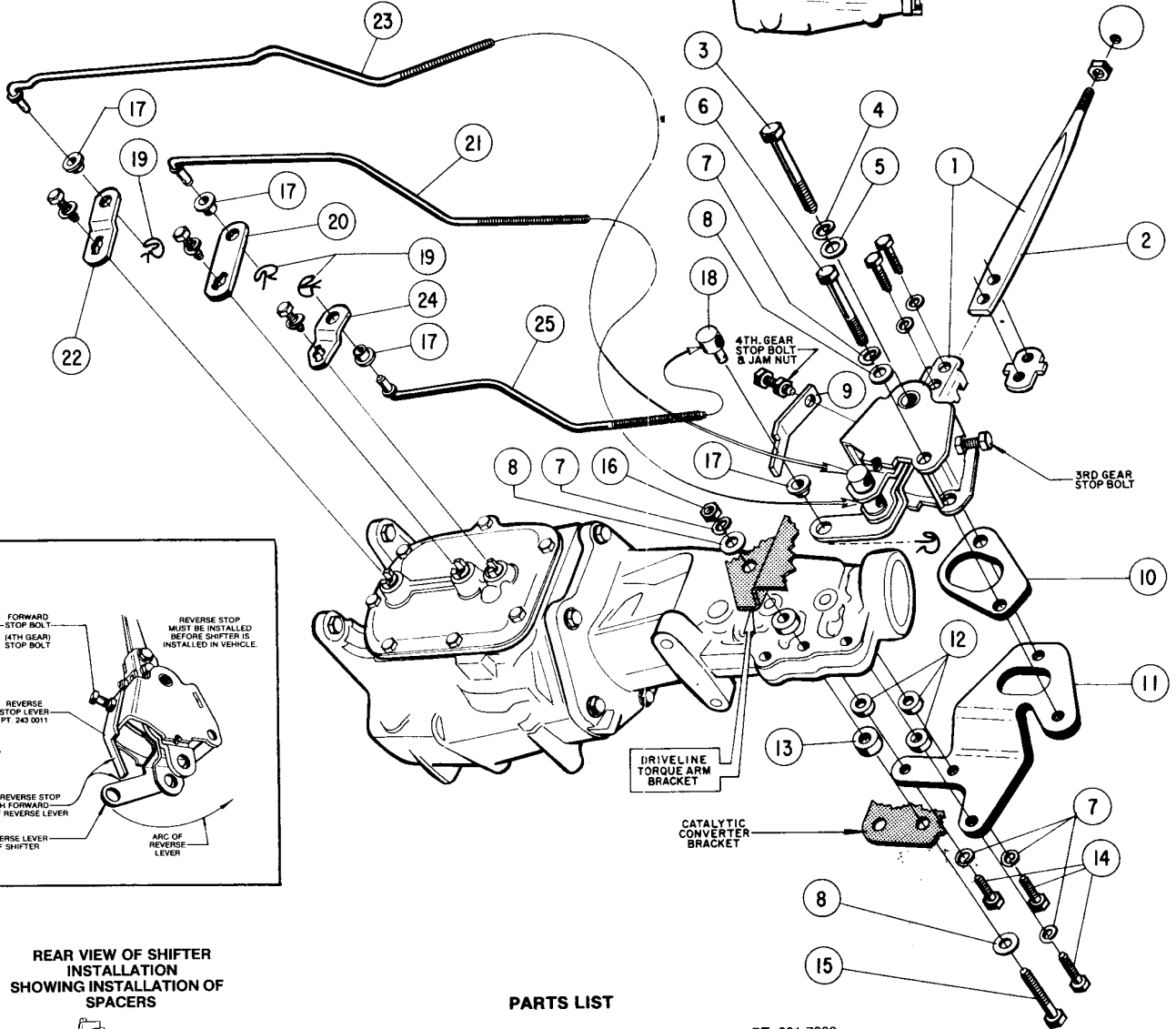
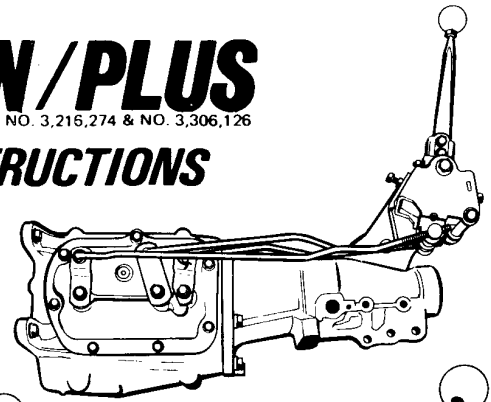


COMPETITION/PLUS

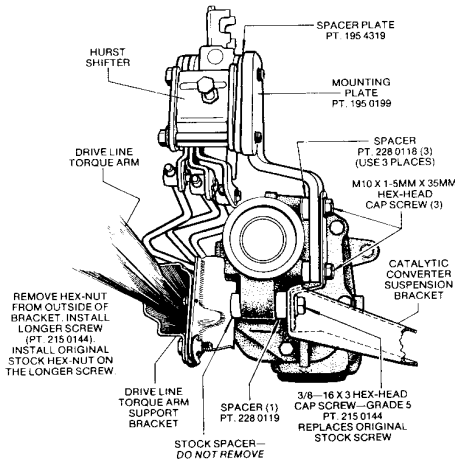
U.S. PATENT NO. 3,216,274 & NO. 3,306,126

INSTALLATION INSTRUCTIONS

373 0022



REAR VIEW OF SHIFTER INSTALLATION SHOWING INSTALLATION OF SPACERS



PARTS LIST

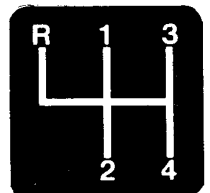
1. SHIFTER ASSEMBLY
2. STICK
3. 7/16" 14 X 3-1/4 HEX-HEAD CAP SCREW
4. 7/16" SPLIT LOCK WASHER
5. 7/16" FLAT WASHER
6. 3/8—16 X 3-1/4 HEX-HEAD CAP SCREW
7. 3/8" SPLIT LOCK WASHER
8. 3/8" FLAT WASHER
9. REVERSE STOP LEVER
10. SPACER PLATE
11. MOUNTING PLATE
12. SPACER
13. SPACER
14. M10 X 1.5 MM X 35 MM HEX HEAD CAP SCREW
15. 3/8—16 X 3 HEX HEAD CAP SCREW GRADE 5
16. 3/8—16 HEX—NUT
17. BUSHING
18. ROD ADJUSTING BUTTON
19. SPRING CLIP
20. ARM 1ST/2ND
21. ROD 1ST/2ND
22. ARM 3RD/4TH
23. ROD 3RD/4TH
24. ARM—REVERSE
25. ROD—REVERSE

- PT. 391 7960
- PT. 238 7238
- PT. 215 5649
- PT. 970009404
- PT. 96000561
- PT. 215 5273
- PT. 97000359 (5)
- PT. 97090058 (3)
- PT. 243 0011
- PT. 195 4319
- PT. 1950199
- PT. 228 0118 (3)
- PT. 228 0119
- PT. 215 0143 (3)
- PT. 215 0144
- PT. 96000502
- PT. 118 1681 (6)
- PT. 119 3783 (3)
- PT. 97000015 (6)
- PT. 105 4293
- PT. 213 0193
- PT. 105 4864
- PT. 213 0194
- PT. 105 4295
- PT. 213 0195

IMPORTANT

The pressure-sensitive label included with kit that shows this pattern must be applied to console to cover existing pattern.

Notice that Reverse differs from original (stock) pattern.



BAGGED HARDWARE PT. 154 0178