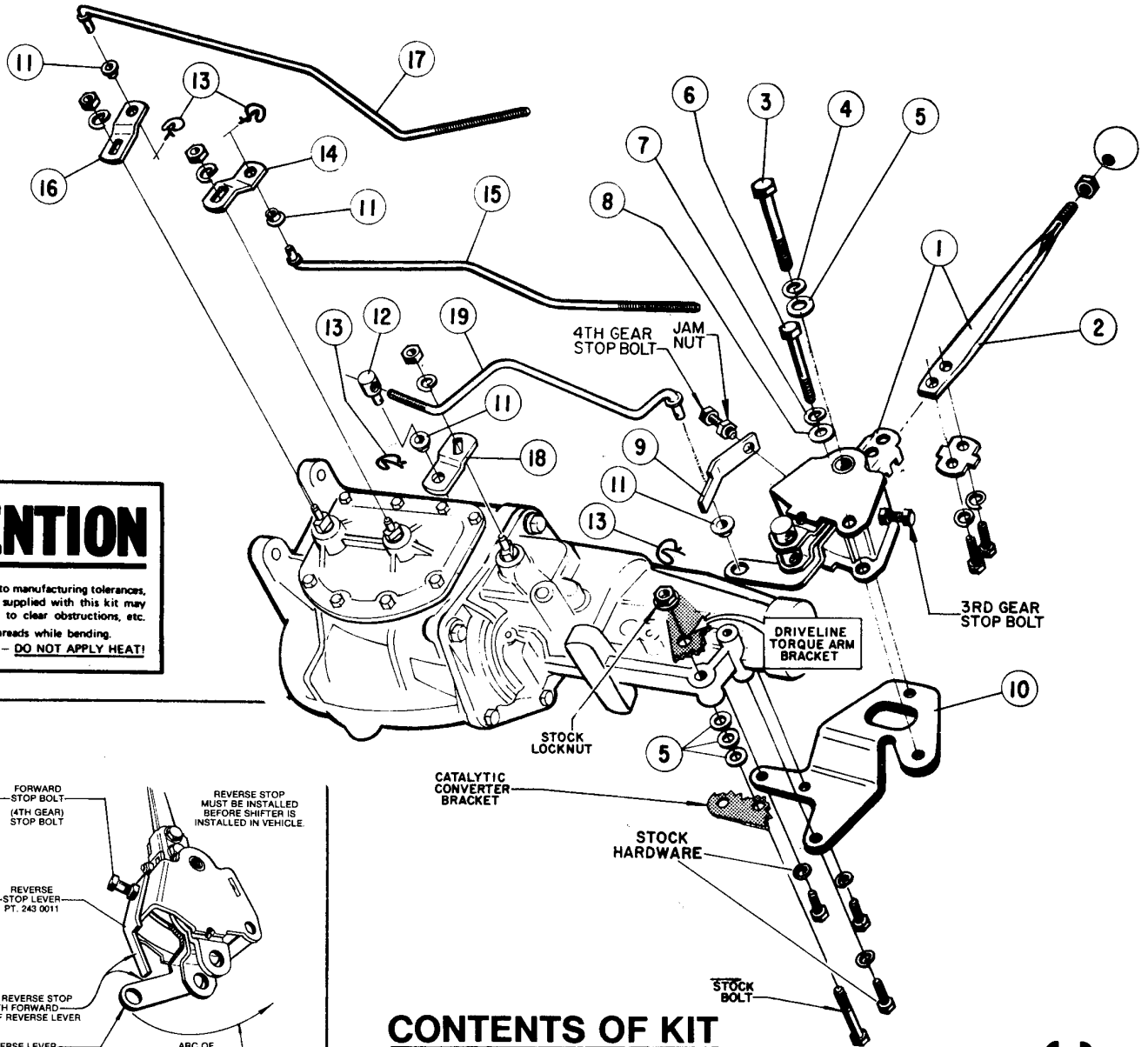




COMPETITION/PLUS

U.S. PATENT NO. 3,216,274 & NO. 3,306,126

INSTALLATION INSTRUCTIONS

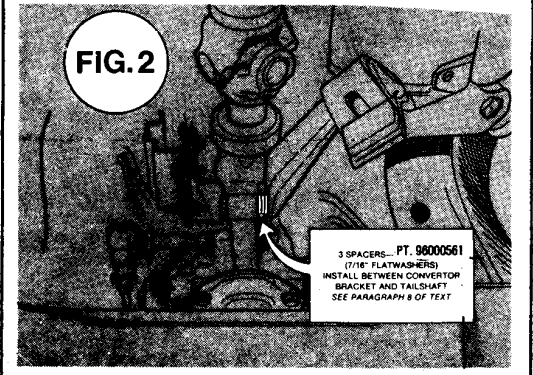
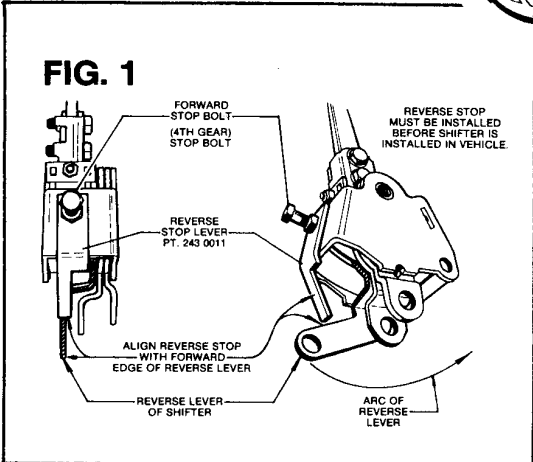


ATTENTION

Due to variations in auto manufacturing tolerances, the transmission rods supplied with this kit may require slight bending to clear obstructions, etc.

Protect the threads while bending.

BEND RODS COLD! - DO NOT APPLY HEAT!



CONTENTS OF KIT

- | | |
|-----------------------------------|------------------|
| 1. SHIFTER ASSEMBLY | PT. 391 7960 |
| 2. STICK | PT. 238 7238 |
| 3. 7/16-14 x 3 HEX-HEAD CAP SCREW | PT. 215 3447 |
| 4. 7/16" SPLIT LOCKWASHER | PT. 97000404 |
| 5. 7/16" FLATWASHER | PT. 96000561 (4) |
| 6. 3/8-16 x 3 HEX-HEAD CAP SCREW | PT. 215 3450 |
| 7. 3/8" SPLIT LOCKWASHER | PT. 97000359 |
| 8. 3/8" FLATWASHER | PT. 267 3477 |
| 9. REVERSE STOP LEVER | PT. 243 0011 |
| 10. MOUNTING PLATE | PT. 195 0199 |
| 11. BUSHING | PT. 118 1681 (6) |
| 12. ROD ADJUSTING BUTTON | PT. 119 3783 (3) |
| 13. SPRING CLIP | PT. 97000015 (6) |
| 14. ARM-1ST/2ND | PT. 105 0043 |
| 15. ROD-1ST/2ND | PT. 213 0163 |
| 16. ARM-3RD/4TH | PT. 105 0044 |
| 17. ROD-3RD/4TH | PT. 213 0164 |
| 18. ARM-REVERSE | PT. 105 2489 |
| 19. ROD-REVERSE | PT. 213 0165 |

BAGGED HARDWARE PT. 154 0174

373 0021